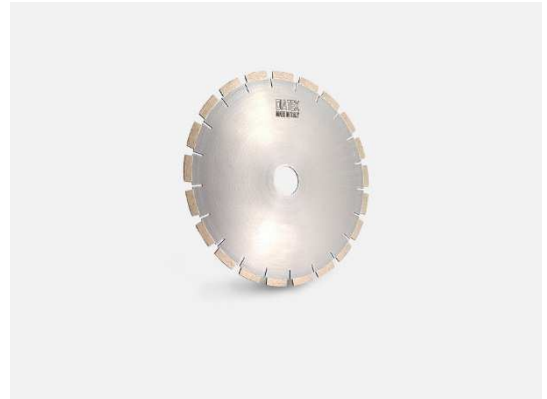


CUTTING SECTION

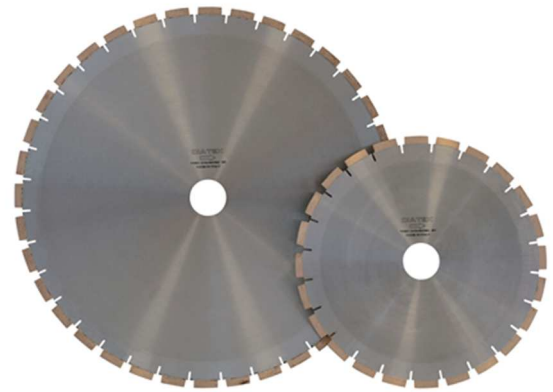
Segmented disk for Granite



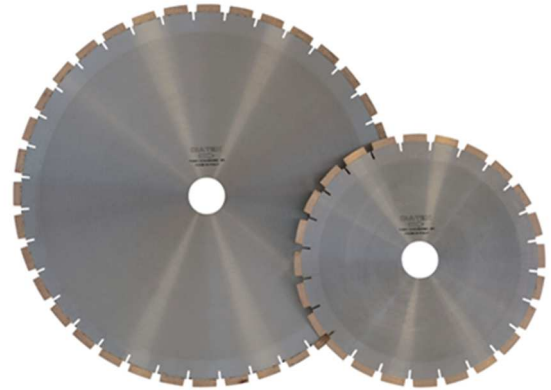
| Ø | slot | height | thick. | length | seg.No |
|-----|--------|--------|--------|--------|--------|
| 200 | narrow | 10 | 2,6 | 40 | 14 |
| | large | 10 | 2,6 | 40 | 12 |
| 250 | narrow | 10 | 2,6 | 40 | 17 |
| | large | 10 | 2,6 | 40 | 15 |
| 300 | narrow | 10 | 2,6 | 40 | 21 |
| | narrow | 12 | 2,6 | 40 | 21 |
| | large | 10 | 2,6 | 40 | 18 |
| | large | 12 | 2,6 | 40 | 18 |
| | mix | 10 | 2,8 | 20 | 36 |
| | mix | 12 | 2,8 | 20 | 36 |
| 350 | narrow | 10 | 3,0 | 40 | 25 |
| | narrow | 12 | 3,0 | 40 | 25 |
| | narrow | 15 | 3,2 | 40 | 25 |
| | narrow | 20 | 3,2 | 40 | 25 |
| | large | 10 | 3,0 | 40 | 21 |
| | large | 12 | 3,0 | 40 | 21 |
| | large | 15 | 3,2 | 40 | 21 |
| | large | 20 | 3,2 | 40 | 21 |
| | mix | 10 | 3,2 | 20 | 42 |
| | mix | 12 | 3,2 | 20 | 42 |
| | mix | 15 | 3,2 | 20 | 42 |
| | mix | 20 | 3,2 | 20 | 42 |



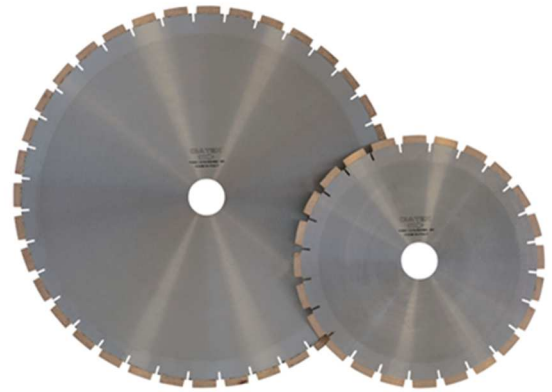
| Ø | slot | height | thick | length | seg.No |
|-----|--------|--------|-------|--------|--------|
| 400 | narrow | 10 | 3,2 | 40 | 28 |
| | narrow | 12 | 3,2 | 40 | 28 |
| | narrow | 15 | 3,4 | 40 | 28 |
| | narrow | 20 | 3,4 | 40 | 28 |
| | large | 10 | 3,2 | 40 | 24 |
| | large | 12 | 3,2 | 40 | 24 |
| | large | 15 | 3,4 | 40 | 24 |
| | large | 20 | 3,4 | 40 | 24 |
| | mix | 10 | 3,4 | 20 | 48 |
| | mix | 12 | 3,4 | 20 | 48 |
| | mix | 15 | 3,4 | 20 | 48 |
| | mix | 20 | 3,4 | 20 | 48 |
| 450 | narrow | 10 | 3,6 | 40 | 32 |
| | narrow | 12 | 3,6 | 40 | 32 |
| | narrow | 15 | 3,8 | 40 | 32 |
| | narrow | 20 | 3,8 | 40 | 32 |
| | large | 10 | 3,6 | 40 | 26 |
| | large | 12 | 3,6 | 40 | 26 |
| | large | 15 | 3,8 | 40 | 26 |
| | large | 20 | 3,8 | 40 | 26 |
| | mix | 10 | 3,8 | 20 | 52 |
| | mix | 12 | 3,8 | 20 | 52 |
| | mix | 15 | 3,8 | 20 | 52 |
| | mix | 20 | 3,8 | 20 | 52 |



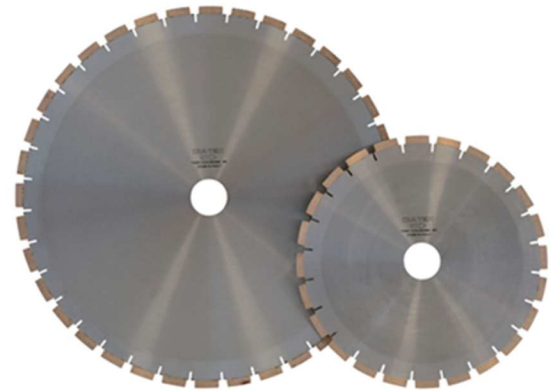
| Ø | slot | height | thick | length | seg.No |
|-----|--------|--------|-------|--------|--------|
| 500 | narrow | 10 | 3,6 | 40 | 36 |
| | narrow | 12 | 3,6 | 40 | 36 |
| | narrow | 15 | 3,8 | 40 | 36 |
| | narrow | 20 | 3,8 | 40 | 36 |
| | large | 10 | 3,6 | 40 | 30 |
| | large | 12 | 3,6 | 40 | 30 |
| | large | 15 | 3,8 | 40 | 30 |
| | large | 20 | 3,8 | 40 | 30 |
| | mix | 10 | 3,8 | 20 | 60 |
| | mix | 12 | 3,8 | 20 | 60 |
| | mix | 15 | 3,8 | 20 | 60 |
| | mix | 20 | 3,8 | 20 | 60 |
| 550 | narrow | 10 | 4,4 | 40 | 40 |
| | narrow | 12 | 4,4 | 40 | 40 |
| | narrow | 15 | 4,6 | 40 | 40 |
| | narrow | 20 | 4,6 | 40 | 40 |
| | large | 10 | 4,4 | 40 | 32 |
| | large | 12 | 4,4 | 40 | 32 |
| | large | 15 | 4,6 | 40 | 32 |
| | large | 20 | 4,6 | 40 | 32 |
| | mix | 10 | 4,6 | 20 | 64 |
| | mix | 12 | 4,6 | 20 | 64 |
| | mix | 15 | 4,6 | 20 | 64 |
| | mix | 20 | 4,6 | 20 | 64 |



| Ø | slot | height | thick | length | seg.No |
|-----|--------|--------|-------|--------|--------|
| 600 | narrow | 10 | 4,4 | 40 | 42 |
| | narrow | 12 | 4,4 | 40 | 42 |
| | narrow | 15 | 4,6 | 40 | 42 |
| | narrow | 20 | 4,6 | 40 | 42 |
| | large | 10 | 4,4 | 40 | 36 |
| | large | 12 | 4,4 | 40 | 36 |
| | large | 15 | 4,6 | 40 | 36 |
| | large | 20 | 4,6 | 40 | 36 |
| | mix | 10 | 4,6 | 20 | 72 |
| | mix | 12 | 4,6 | 20 | 72 |
| | mix | 15 | 4,6 | 20 | 72 |
| | mix | 20 | 4,6 | 20 | 72 |
| 625 | narrow | 10 | 4,4 | 40 | 42 |
| | narrow | 12 | 4,4 | 40 | 42 |
| | narrow | 15 | 4,6 | 40 | 42 |
| | narrow | 20 | 4,6 | 40 | 42 |
| | large | 10 | 4,4 | 40 | 36 |
| | large | 12 | 4,4 | 40 | 36 |
| | large | 15 | 4,6 | 40 | 36 |
| | large | 20 | 4,6 | 40 | 36 |
| | mix | 10 | 4,6 | 20 | 72 |
| | mix | 12 | 4,6 | 20 | 72 |
| | mix | 15 | 4,6 | 20 | 72 |
| | mix | 20 | 4,6 | 20 | 72 |



| Ø | slot | height | thick | length | seg.No |
|-----|-------|--------|-------|--------|--------|
| 650 | large | 10 | 5,0 | 40 | 38 |
| | large | 12 | 5,0 | 40 | 38 |
| | large | 15 | 5,2 | 40 | 38 |
| | large | 20 | 5,2 | 40 | 38 |
| 700 | large | 10 | 5,5 | 40 | 40 |
| | large | 12 | 5,5 | 40 | 40 |
| | large | 15 | 5,8 | 40 | 40 |
| | large | 20 | 5,8 | 40 | 40 |
| 725 | large | 10 | 5,5 | 40 | 40 |
| | large | 12 | 5,5 | 40 | 40 |
| | large | 15 | 5,8 | 40 | 40 |
| | large | 20 | 5,8 | 40 | 40 |
| 750 | large | 10 | 5,5 | 40 | 42 |
| | large | 12 | 5,5 | 40 | 42 |
| | large | 15 | 5,8 | 40 | 42 |
| | large | 20 | 5,8 | 40 | 42 |
| 800 | large | 10 | 5,5 | 40 | 46 |
| | large | 12 | 5,5 | 40 | 46 |
| | large | 15 | 5,8 | 40 | 46 |
| | large | 20 | 5,8 | 40 | 46 |
| 825 | large | 10 | 5,5 | 40 | 46 |
| | large | 12 | 5,5 | 40 | 46 |
| | large | 15 | 5,8 | 40 | 46 |
| | large | 20 | 5,8 | 40 | 46 |
| 850 | large | 10 | 5,5 | 40 | 48 |
| | large | 12 | 5,5 | 40 | 48 |
| | large | 15 | 5,8 | 40 | 48 |
| | large | 20 | 5,8 | 40 | 48 |



| Ø | slot | height | thick | length | seg.no |
|------|-------|--------|-------|--------|--------|
| 900 | large | 12 | 6,2 | 24 | 64 |
| | large | 20 | 7,2 | 24 | 64 |
| 1000 | large | 12 | 6,2 | 24 | 70 |
| | large | 20 | 7,2 | 24 | 70 |
| 1050 | large | 12 | 6,2 | 24 | 72 |
| | large | 20 | 7,2 | 24 | 72 |
| 1100 | large | 12 | 7,0 | 24 | 74 |
| | large | 20 | 8,0 | 24 | 74 |
| 1200 | large | 12 | 7,0 | 24 | 80 |
| | large | 20 | 8,0 | 24 | 80 |

CUTTING SECTION

Segmented Discs for Marble



| Ø | height | thick | length | segm.No |
|-----|--------|-------|--------|---------|
| 250 | 7 | 2,6 | 40 | 18 |
| 300 | 7 | 2,6 | 40 | 21 |
| 350 | 7 | 3,0 | 40 | 25 |
| 400 | 7 | 3,4 | 40 | 28 |
| 450 | 7 | 3,8 | 40 | 32 |
| 500 | 7 | 4,4 | 40 | 36 |
| 550 | 7 | 4,6 | 40 | 40 |
| 600 | 7 | 5,0 | 40 | 42 |
| 625 | 7 | 5,5 | 40 | 42 |

| Ø | Slot | seg.H | seg.L | seg.No | thick. |
|------|--------|-------|-------|--------|--------|
| 650 | narrow | 7 | 40 | 46 | 5,5 |
| | large | 7 | 40 | 38 | 5,5 |
| 700 | narrow | 7 | 40 | 50 | 6,0 |
| | large | 7 | 40 | 40 | 6,0 |
| 725 | narrow | 7 | 40 | 50 | 6,0 |
| | large | 7 | 40 | 40 | 6,0 |
| 750 | narrow | 7 | 40 | 54 | 6,0 |
| | large | 7 | 40 | 42 | 6,0 |
| 800 | narrow | 7 | 40 | 57 | 6,4 |
| | large | 7 | 40 | 46 | 6,4 |
| 825 | narrow | 7 | 40 | 57 | 6,4 |
| | large | 7 | 40 | 46 | 6,4 |
| 850 | narrow | 7 | 40 | 60 | 6,4 |
| | large | 7 | 24 | 48 | 6,4 |
| 900 | narrow | 7 | 40 | 64 | 7,6 |
| | large | 7 | 24 | 64 | 7,6 |
| 950 | narrow | 7 | 40 | 64 | 7,6 |
| | large | 7 | 24 | 64 | 7,6 |
| 1000 | narrow | 7 | 40 | 70 | 8,0 |
| | large | 7 | 24 | 70 | 8,0 |
| 1050 | narrow | 7 | 40 | 72 | 8,0 |
| | large | 7 | 24 | 72 | 8,0 |
| 1100 | narrow | 7 | 40 | 74 | 8,4 |
| | large | 7 | 24 | 74 | 8,4 |
| 1200 | narrow | 7 | 40 | 80 | 8,4 |
| | large | 7 | 24 | 80 | 8,4 |
| 1250 | narrow | 7 | 40 | 80 | 8,4 |
| | large | 7 | 24 | 80 | 8,4 |
| 1300 | narrow | 7 | 40 | 88 | 9,0 |
| | large | 7 | 24 | 88 | 9,0 |
| 1350 | large | 7 | 24 | 88 | 9,0 |
| 1400 | large | 7 | 24 | 92 | 9,4 |
| 1500 | large | 7 | 24 | 100 | 9,4 |
| 1600 | large | 8 | 24 | 104 | 9,4 |

CUTTING SECTION

Segmented Discs for Marble

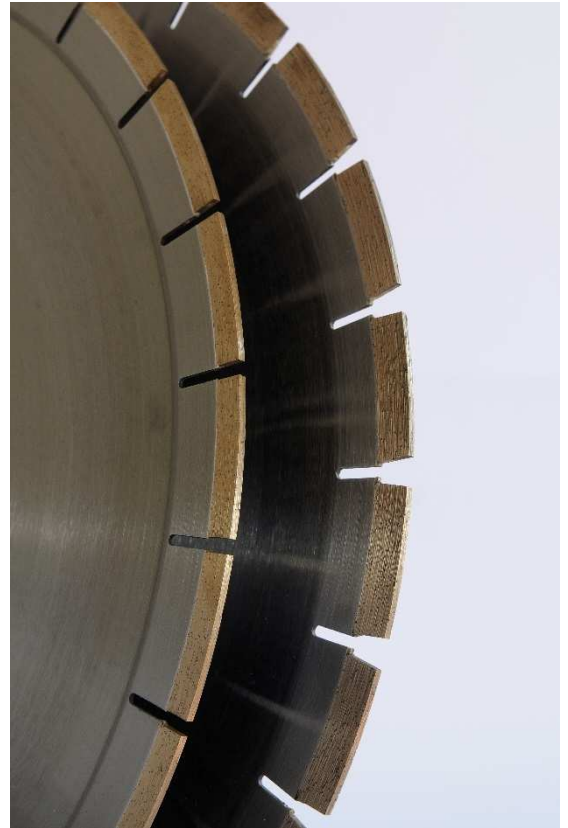


| Ø | height | thick | length | segm.No |
|-----|--------|-------|--------|---------|
| 250 | 7 | 2,6 | 40 | 18 |
| 300 | 7 | 2,6 | 40 | 21 |
| 350 | 7 | 3,0 | 40 | 25 |
| 400 | 7 | 3,4 | 40 | 28 |
| 450 | 7 | 3,8 | 40 | 32 |
| 500 | 7 | 4,4 | 40 | 36 |
| 550 | 7 | 4,6 | 40 | 40 |
| 600 | 7 | 5,0 | 40 | 42 |
| 625 | 7 | 5,5 | 40 | 42 |

| Ø | Slot | seg.H | seg.L | seg.No | thick. |
|------|--------|-------|-------|--------|--------|
| 650 | narrow | 7 | 40 | 46 | 5,5 |
| | large | 7 | 40 | 38 | 5,5 |
| 700 | narrow | 7 | 40 | 50 | 6,0 |
| | large | 7 | 40 | 40 | 6,0 |
| 725 | narrow | 7 | 40 | 50 | 6,0 |
| | large | 7 | 40 | 40 | 6,0 |
| 750 | narrow | 7 | 40 | 54 | 6,0 |
| | large | 7 | 40 | 42 | 6,0 |
| 800 | narrow | 7 | 40 | 57 | 6,4 |
| | large | 7 | 40 | 46 | 6,4 |
| 825 | narrow | 7 | 40 | 57 | 6,4 |
| | large | 7 | 40 | 46 | 6,4 |
| 850 | narrow | 7 | 40 | 60 | 6,4 |
| | large | 7 | 24 | 48 | 6,4 |
| 900 | narrow | 7 | 40 | 64 | 7,6 |
| | large | 7 | 24 | 64 | 7,6 |
| 950 | narrow | 7 | 40 | 64 | 7,6 |
| | large | 7 | 24 | 64 | 7,6 |
| 1000 | narrow | 7 | 40 | 70 | 8,0 |
| | large | 7 | 24 | 70 | 8,0 |
| 1050 | narrow | 7 | 40 | 72 | 8,0 |
| | large | 7 | 24 | 72 | 8,0 |
| 1100 | narrow | 7 | 40 | 74 | 8,4 |
| | large | 7 | 24 | 74 | 8,4 |
| 1200 | narrow | 7 | 40 | 80 | 8,4 |
| | large | 7 | 24 | 80 | 8,4 |
| 1250 | narrow | 7 | 40 | 80 | 8,4 |
| | large | 7 | 24 | 80 | 8,4 |
| 1300 | narrow | 7 | 40 | 88 | 9,0 |
| | large | 7 | 24 | 88 | 9,0 |
| 1350 | large | 7 | 24 | 88 | 9,0 |
| 1400 | large | 7 | 24 | 92 | 9,4 |
| 1500 | large | 7 | 24 | 100 | 9,4 |
| 1600 | large | 8 | 24 | 104 | 9,4 |

CUTTING SECTION

Speedo discs for Marble and Granite



| | | Marble |
|-----|-------------|-----------|
| Ø | segm.height | thickness |
| 350 | 8 | 2,50 |
| 400 | 8 | 2,70 |
| 500 | 8 | 3,00 |
| | | Granite |
| Ø | segm.height | thickness |
| 350 | 12 | 2,35 |
| 400 | 12 | 2,55 |
| 500 | 12 | 2,85 |

BRIDGE SAW PROFILING SECTION

Peripheral segmented wheels



For Marble and Granite

| | rim | ∅ | ∅ | ∅ | ∅ | ∅ | ∅ | ∅ |
|-------------------------|-----|-----|-----|-----|-----|-----|-----|-----|
| Length segm. 24mm | 6 | 150 | 200 | 250 | 300 | 350 | 400 | 450 |
| | 8 | 150 | 200 | 250 | 300 | 350 | 400 | 450 |
| | 10 | 150 | 200 | 250 | 300 | 350 | 400 | 450 |
| | 12 | 150 | 200 | 250 | 300 | 350 | 400 | 450 |
| Length segm. 20mm | 15 | 150 | 200 | 250 | 300 | 350 | 400 | 450 |
| | 20 | 150 | 200 | 250 | 300 | 350 | 400 | 450 |
| | 25 | 150 | 200 | 250 | 300 | 350 | 400 | 450 |
| | 30 | 150 | 200 | 250 | 300 | 350 | 400 | 450 |
| | 35 | 150 | 200 | 250 | 300 | 350 | 400 | 450 |
| | 40 | 150 | 200 | 250 | 300 | 350 | 400 | 450 |

BRIDGE SAW PROFILING SECTION

Half-bullnose segmented wheels



For Granite and Marble

| Radius | Ø | Ø | Ø | Ø | Ø | Ø | Ø |
|--------|-----|-----|-----|-----|-----|-----|-----|
| 5 | 150 | 200 | 250 | 300 | 350 | 400 | 450 |
| 7,5 | 150 | 200 | 250 | 300 | 350 | 400 | 450 |
| 10 | 150 | 200 | 250 | 300 | 350 | 400 | 450 |
| 15 | 150 | 200 | 250 | 300 | 350 | 400 | 450 |
| 20 | 150 | 200 | 250 | 300 | 350 | 400 | 450 |
| 25 | 150 | 200 | 250 | 300 | 350 | 400 | 450 |
| 30 | 150 | 200 | 250 | 300 | 350 | 400 | 450 |
| 35 | 150 | 200 | 250 | 300 | 350 | 400 | 450 |
| 40 | 150 | 200 | 250 | 300 | 350 | 400 | 450 |
| 50 | 150 | 200 | 250 | 300 | 350 | 400 | 450 |

BRIDGE SAW PROFILING SECTION

Full bull nose wheels



For Marble and Granite

| Radius | Ø | Ø | Ø | Ø | Ø | Ø | Ø |
|--------|-----|-----|-----|-----|-----|-----|-----|
| 10 | 150 | 200 | 250 | 300 | 350 | 400 | 450 |
| 15 | 150 | 200 | 250 | 300 | 350 | 400 | 450 |
| 20 | 150 | 200 | 250 | 300 | 350 | 400 | 450 |
| 25 | 150 | 200 | 250 | 300 | 350 | 400 | 450 |
| 30 | 150 | 200 | 250 | 300 | 350 | 400 | 450 |
| 35 | 150 | 200 | 250 | 300 | 350 | 400 | 450 |
| 40 | 150 | 200 | 250 | 300 | 350 | 400 | 450 |
| 50 | 150 | 200 | 250 | 300 | 350 | 400 | 450 |